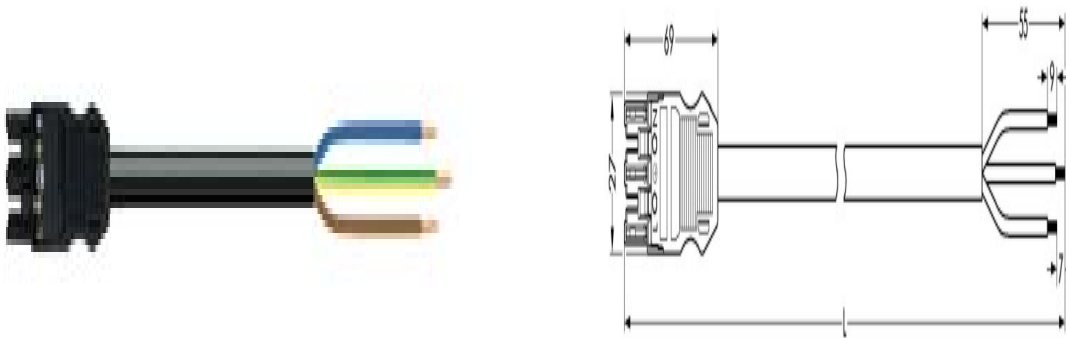


---

Item no.: 771-9993/106-301  
Product description: CONNECTION WIRE; SOCKET - OPEN END; 3 POLE; 3 m;  
CODING A; made of PVC

---



Packing unit 1 piece

Product group	20 (WINSTA)
pole count	3
Cross section to [mm <sup>2</sup> ]	1,5 mm <sup>2</sup>
Cross section to [AWG]	16 AWG
Number of strands	3
Measured voltage EN	250 V
Measured shock voltage	4 kV
Pollution degree	3
Current intensity EN	16 A
Weight	331 g
Color	black



Item number	Admission office	Approval no.	Voltage [V]	Current [A]	Cross section [ mm <sup>2</sup> ]
771-9993/106-301	CCA	5571	250	16	1,5
771-9993/106-301	DNV	E-6541	250	16	1,5
771-9993/106-301	GL	42875-02HH	250	16	1,5
771-9993/106-301	KEMA	2060958.06	250	16	1,5
771-9993/106-301	LR	02/20050(E1)	250	16	1,5
771-9993/106-301	PRS	TE/1719/880590/08	250	16	1,5

Sorting criteria: admission office - approval number

© WAGO Kontakttechnik GmbH & Co. KG

Specifications are subject to changes and errors may be expected